

- Full color touchscreen display
- Linear solid state design
- Ultra efficient switching power supply
- Built in monitoring and control (remote port, Ethernet, SNMP)
- Field proven reliability
- High efficiency gain stages
- CW, pulsed, and modulated applications
- 2 Year Warranty

RF CHARACTERISTICS

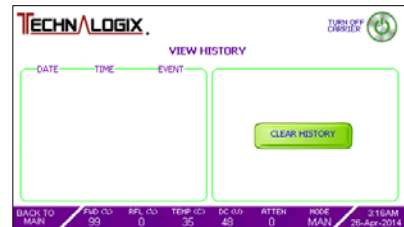
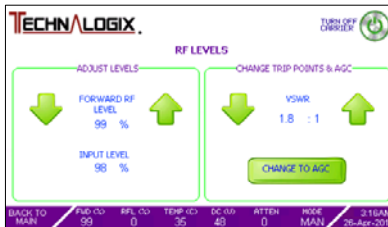
Frequency Range	Broadband VHF 2 - 30 MHz (others available upon request)
Input Power	0 dBm (for rated output power) (others available upon request)
Power Level	Adjustable 0 – 100% up to 2,000-watts CW (+63dBm)
Power Gain	63 dB
Gain Flatness across BW	+/- 3.0 dB AGC off, +/- 0.8 dB AGC on
Input Impedance	50 Ω into amplifier, BNC female (others available)
Input Return Loss	> 20 dB typical
Output Impedance	50 Ω , 7-16 DIN female (others available)
RF Sample	50 Ω , BNC female
Modulation	CW, FM, QAM, pulse, etc.
Harmonics	> 15 dBc typical (even and odd)
Spurious Emissions	> 60 dBc typical

MECHANICAL FEATURES

Minimal Rack Space	Power Amplifier: 6U (10.5") x 25"D x 19"W Power Supply: 3U (5.25") x 25"D x 19"W
Lightweight Enclosures	Aluminum
Operating Temperature	-10 to +50 C
Humidity	95%, non-condensing
Cooling	Integrated forced air cooling (optional liquid cooling)

INTERFACE

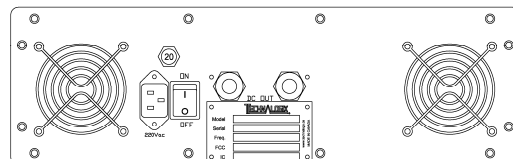
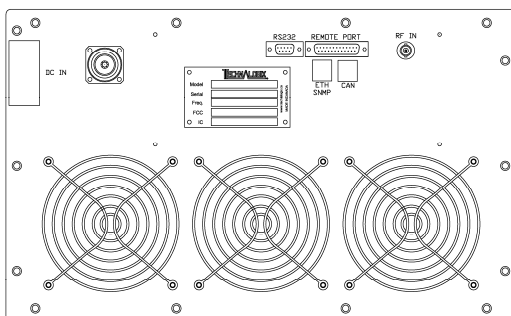
DB25 Remote Port	<p>Control: RF carrier on/off, RF power up/down, reset</p> <p>Monitor: Forward/reflected RF level, control PCB Vcc</p> <p>Flags: Amplifier overdrive, VSWR (adjustable trip point), high temperature</p>
Ethernet	<p>Control: RF carrier on/off, RF power up/down, AGC/manual mode, change VSWR trip point, reset</p> <p>Monitor: Forward/reflected RF level, DC pallet voltage, RF input level, temperature, VSWR trip point, model/serial number</p> <p>Flags: Carrier on/off, amplifier overdrive, DC pallet voltage, VSWR, RF input level, temperature, AGC/manual status</p>
SNMP	<p>Control: RF carrier on/off, RF power up/down, AGC/manual mode, change VSWR trip point, reset</p> <p>Monitor: Forward/reflected RF level, DC pallet voltage, RF input level, temperature, pallet current, attenuation, run time, RF fault, model/serial number</p> <p>Flags: Amplifier overdrive, VSWR, temperature, SNMP error</p>



Screenshots off Touchscreen Interface

ELECTRICAL CHARACTERISTICS

Flexible AC Input 180-264Vac single-phase, 208Vac nominal (others available upon request)
AC Consumption 3,500 V-A typical (at 1 kW CW) single phase



** Due to continuous product improvements, Technalogix reserves the right to change specifications without notice. **